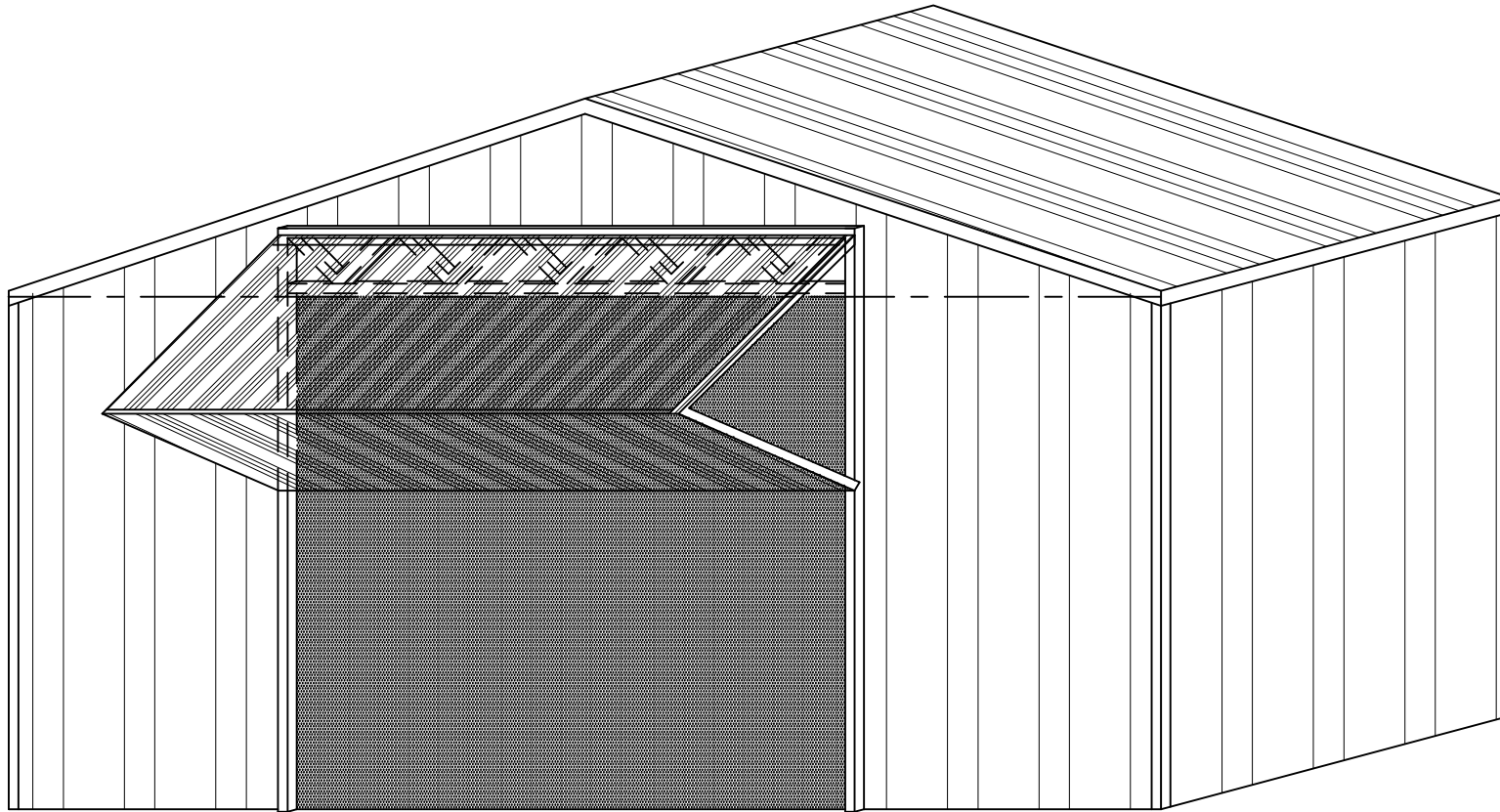


NON - INSULATED BI-FOLD DOOR SUPPORT FRAME MOUNT

EXAMPLE DRAWING

(NOT TO SCALE)

FOR REFERENCE ONLY - TRUSS SUPPLIER TO SIZE HEADER &
TRUSS TO SUPPORT THE WEIGHT OF THE BI-FOLD DOOR



DRAWING
NUMBER

SF1

PHONE :
1-800-921-7008

FAX:
701-277-8961

MIDLAND DOOR SOLUTIONS
1021 7th Street NE
WEST FARGO, ND 58078

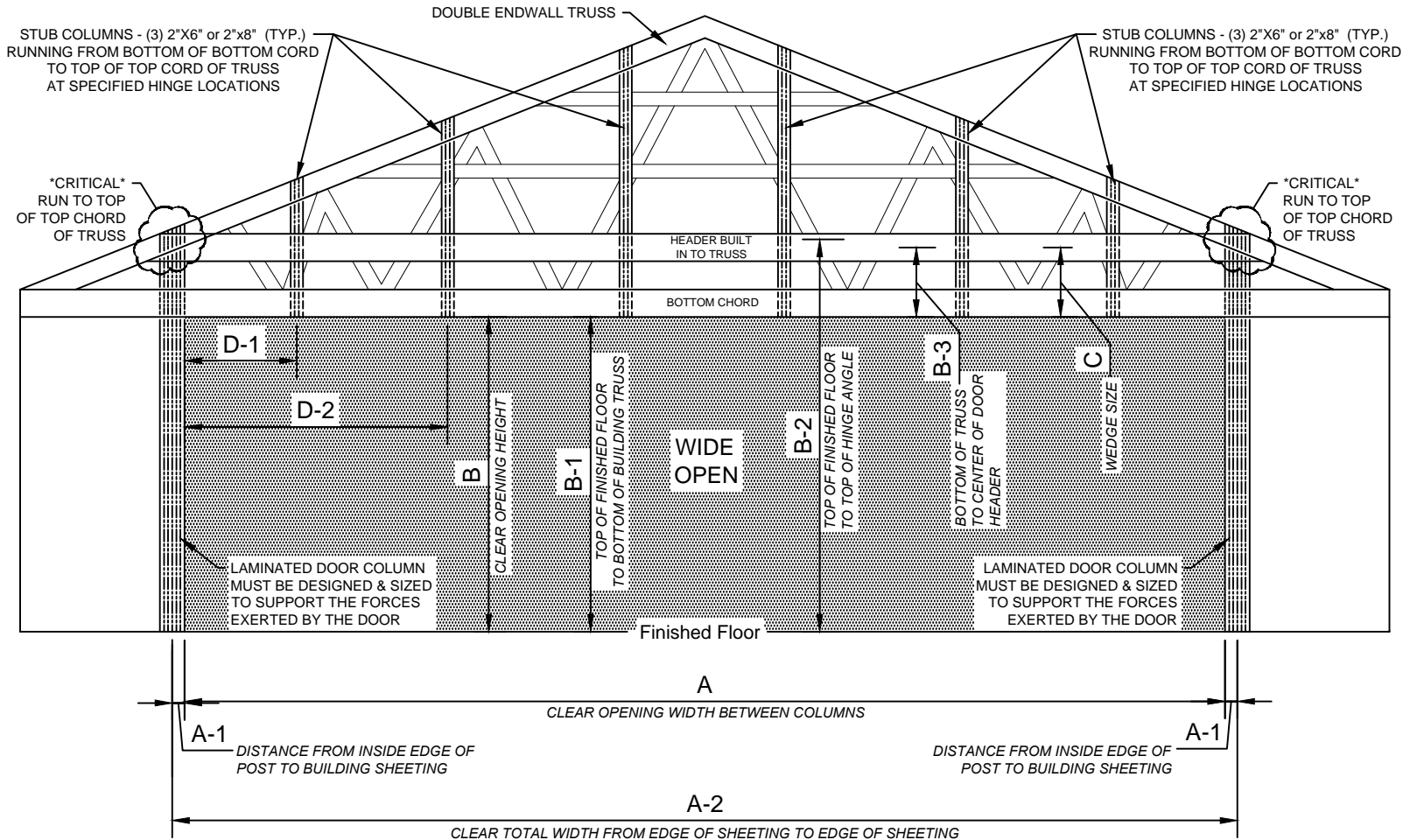


NON - INSULATED BI-FOLD DOOR SUPPORT FRAME MOUNT

EXAMPLE DRAWING

(NOT TO SCALE)

FOR REFERENCE ONLY - TRUSS SUPPLIER TO SIZE HEADER &
TRUSS TO SUPPORT THE WEIGHT OF THE BI-FOLD DOOR



DRAWING NUMBER
SF2

PHONE :
1-800-921-7008
FAX:
701-277-8961

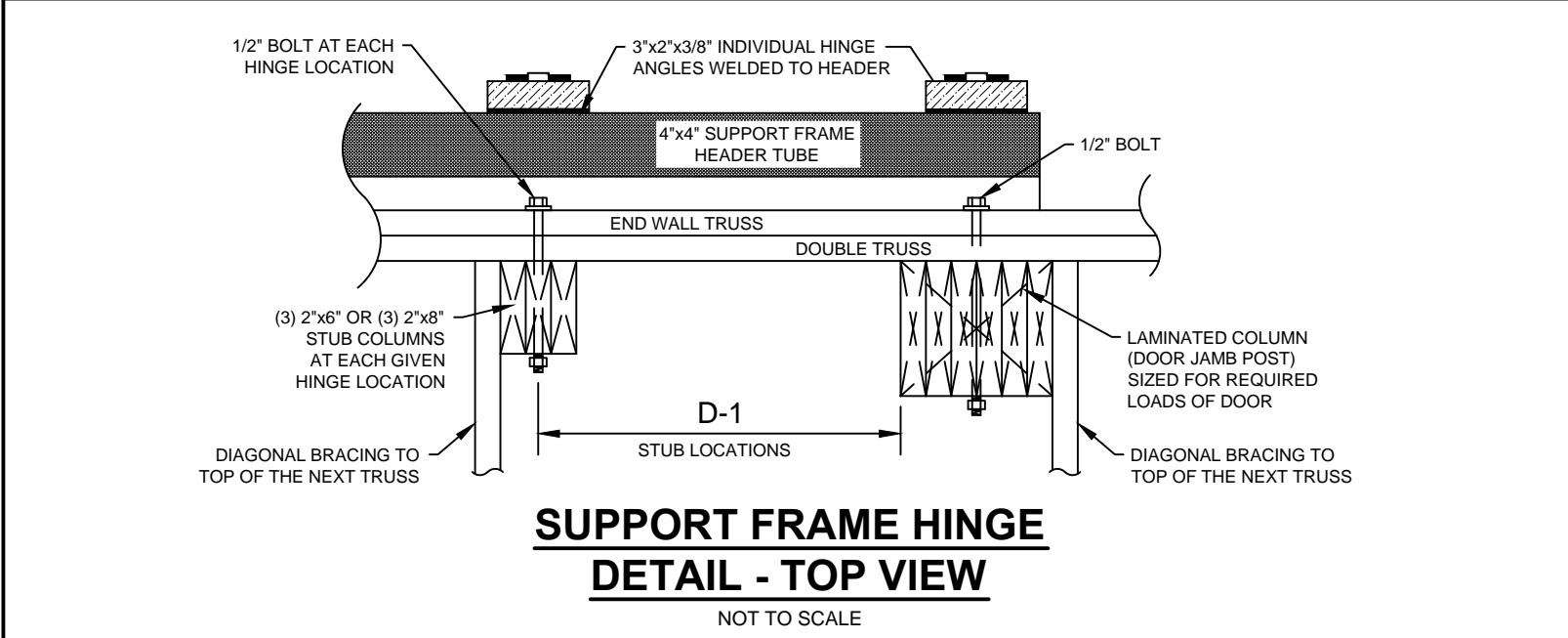
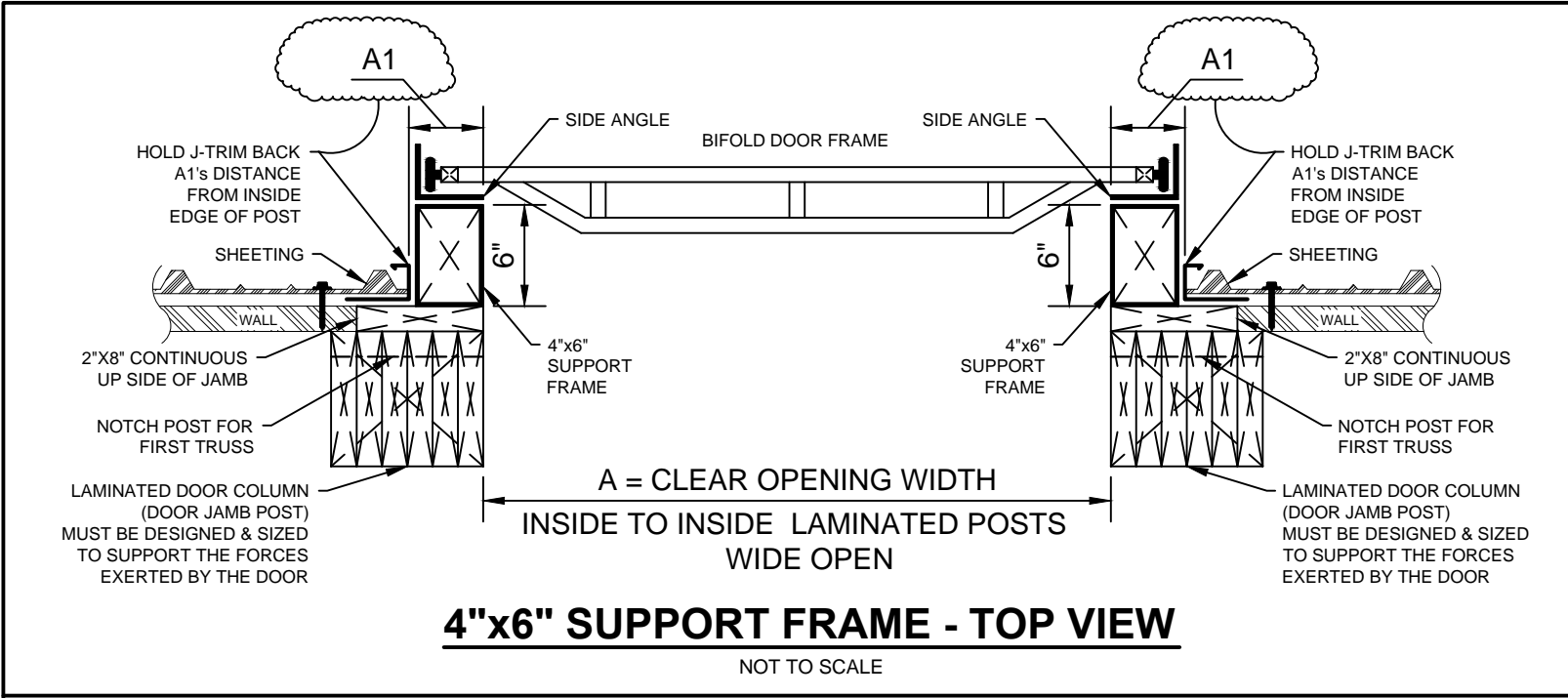
MIDLAND DOOR SOLUTIONS
1021 7th Street NE
WEST FARGO, ND 58078

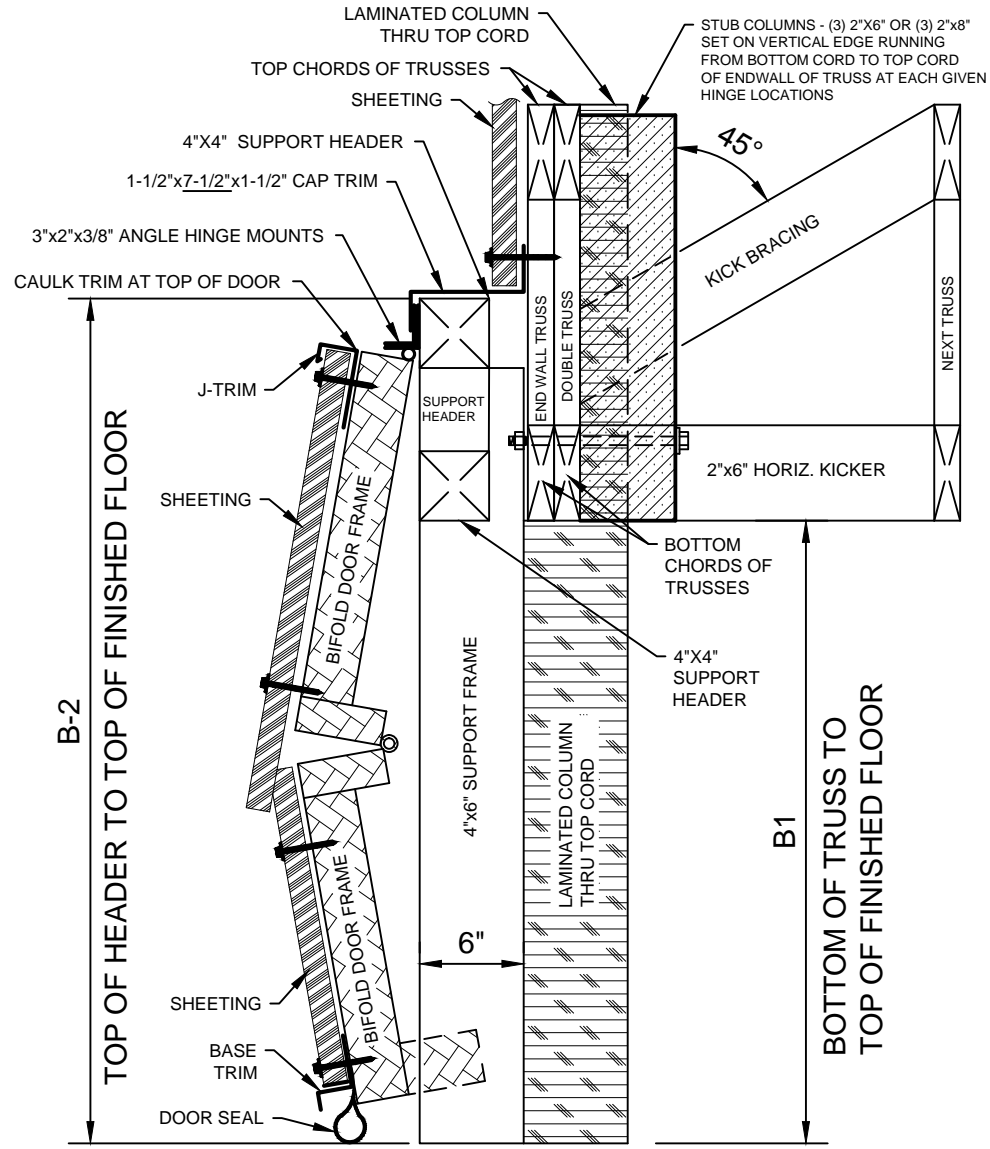


DRAWING NUMBER
SF3

PHONE : 1-800-921-7008
FAX: 701-277-8961

MIDLAND DOOR SOLUTIONS
1021 7th Street NE
WEST FARGO, ND 58078





4"x6" SUPPORT FRAME
SIDE VIEW

NOT TO SCALE

DRAWING NUMBER
SF4

PHONE : 1-800-921-7008
 FAX: 701-277-8961

MIDLAND DOOR SOLUTIONS
 1021 7th Street NE
 WEST FARGO, ND 58078

