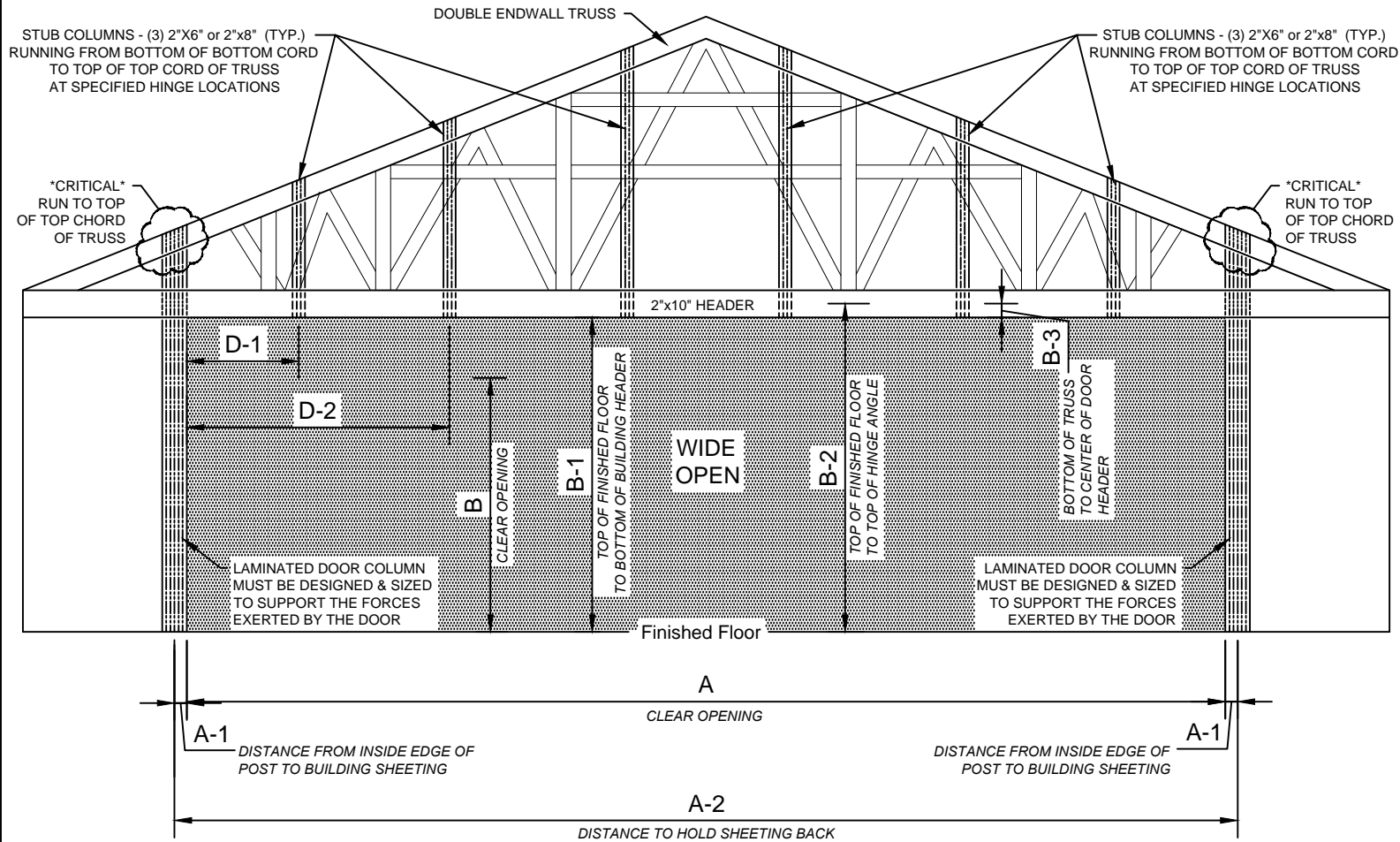


NON - INSULATED BI-FOLD DOOR BOTTOM CHORD MOUNT

EXAMPLE DRAWING

(NOT TO SCALE)

FOR REFERENCE ONLY - TRUSS SUPPLIER TO SIZE HEADER &
TRUSS TO SUPPORT THE WEIGHT OF THE BI-FOLD DOOR



DRAWING
NUMBER
BC1

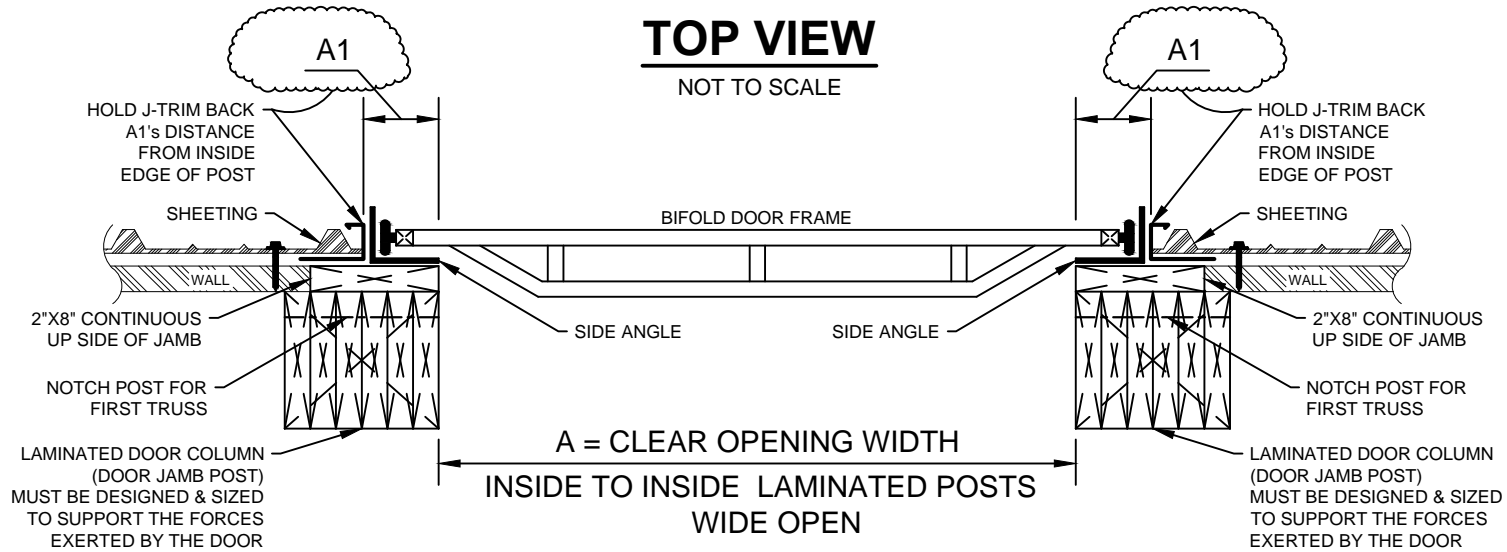
PHONE :
1-800-921-7008
FAX:
701-277-8961

MIDLAND DOOR SOLUTIONS
1021 7th Street NE
WEST FARGO, ND 58078



BOTTOM CHORD MOUNT TOP VIEW

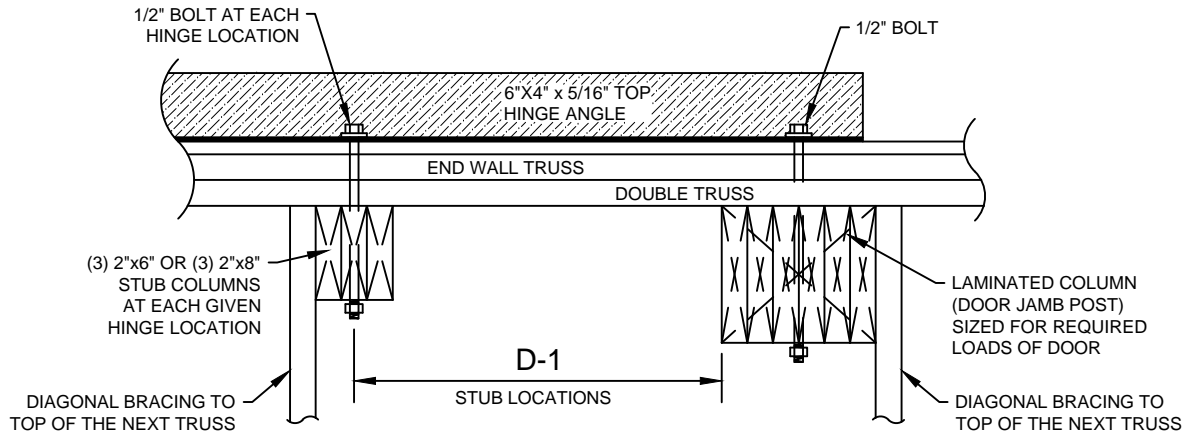
NOT TO SCALE



**DRAWING
NUMBER
BC2**

**PHONE :
1-800-921-7008
FAX:
701-277-8961**

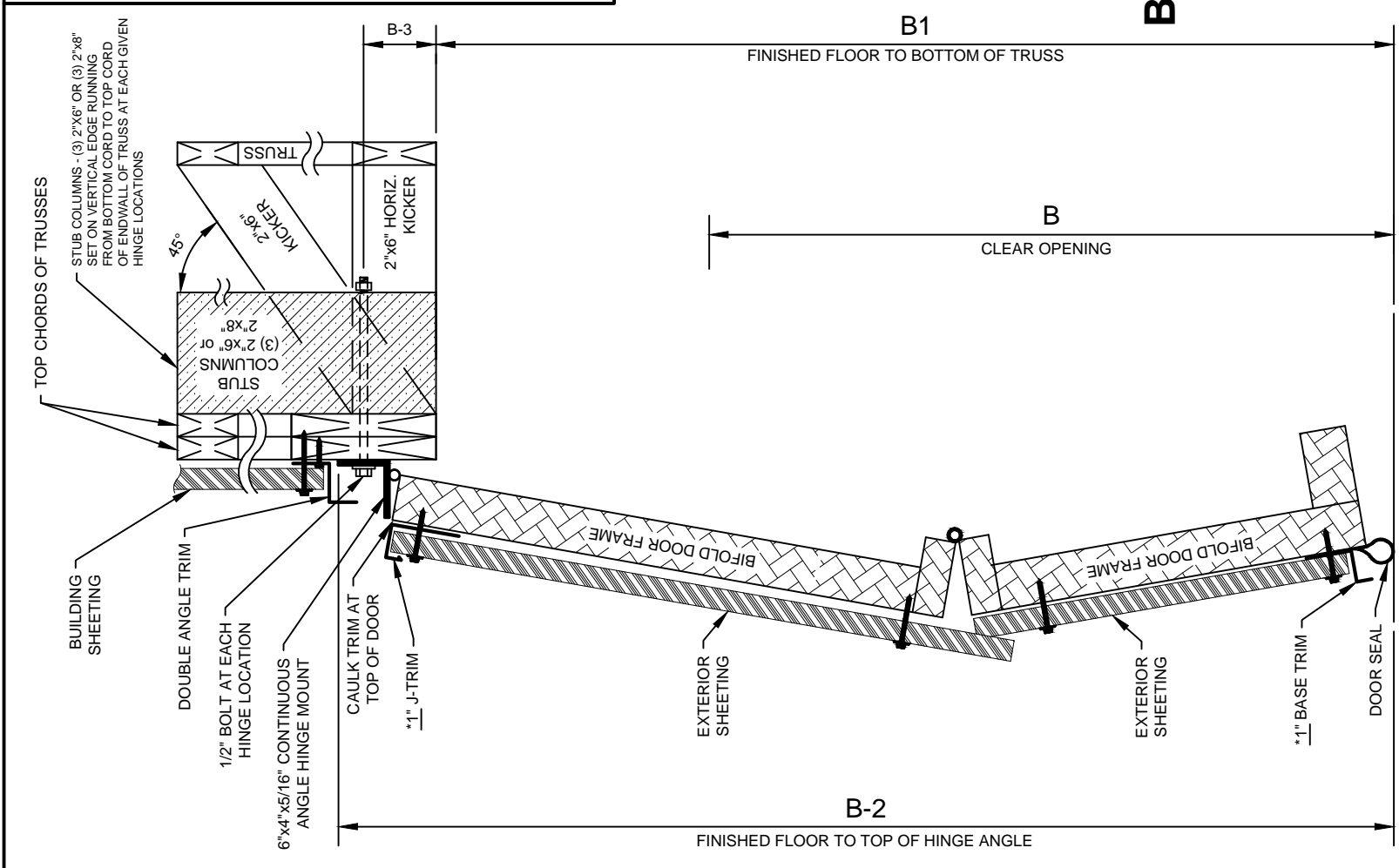
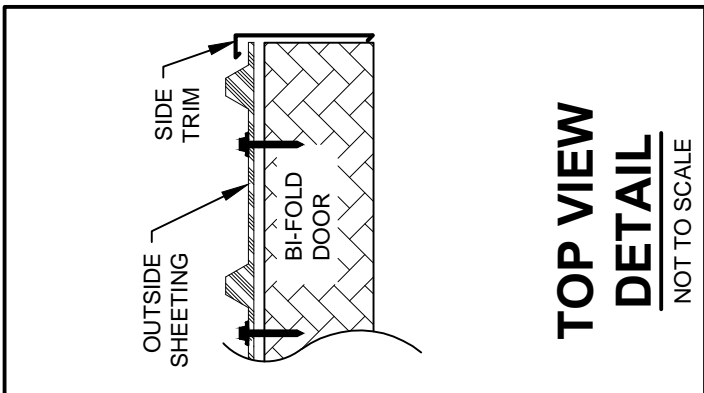
**MIDLAND DOOR SOLUTIONS
1021 7th Street NE
WEST FARGO, ND 58078**



BOTTOM CHORD MOUNT HINGE DETAIL - TOP VIEW

NOT TO SCALE





DRAWING NUMBER **BC3**

PHONE : 1-800-921-7008
FAX: 701-277-8961

MIDLAND DOOR SOLUTIONS
1021 7th Street NE
WEST FARGO, ND 58078

