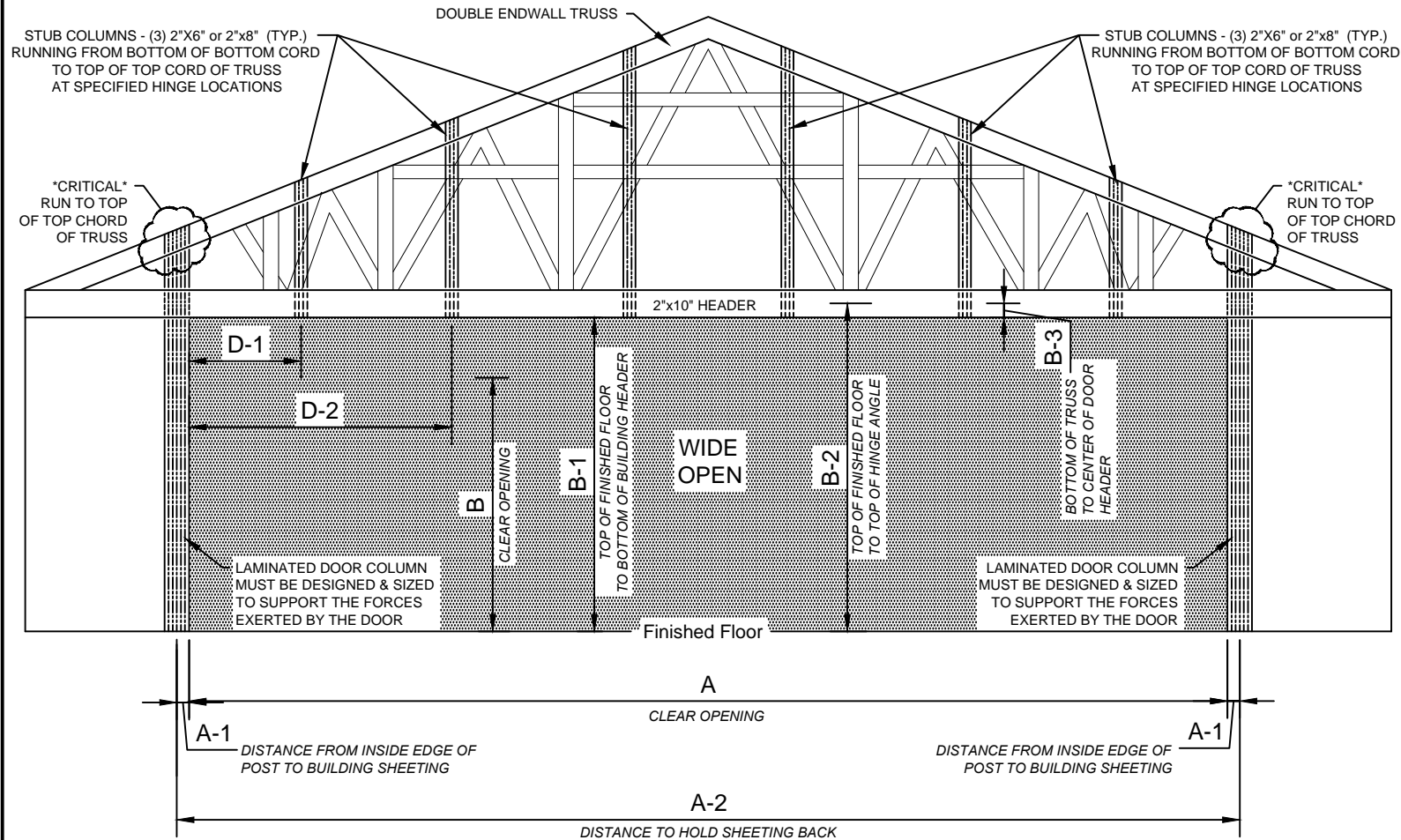


# INSULATED BI-FOLD DOOR BOTTOM CHORD MOUNT

EXAMPLE DRAWING

(NOT TO SCALE)

FOR REFERENCE ONLY - TRUSS SUPPLIER TO SIZE HEADER &  
TRUSS TO SUPPORT THE WEIGHT OF THE BI-FOLD DOOR



DRAWING NUMBER  
**IBC1**

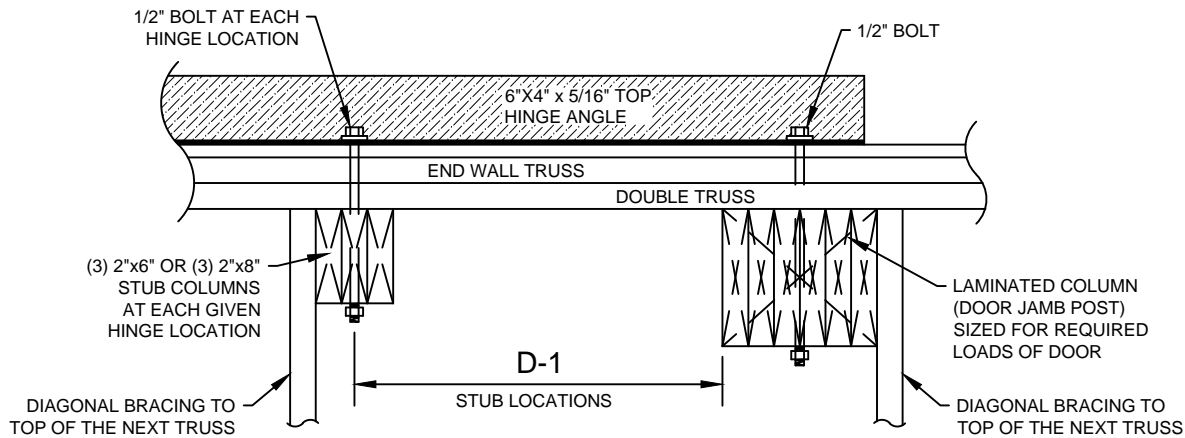
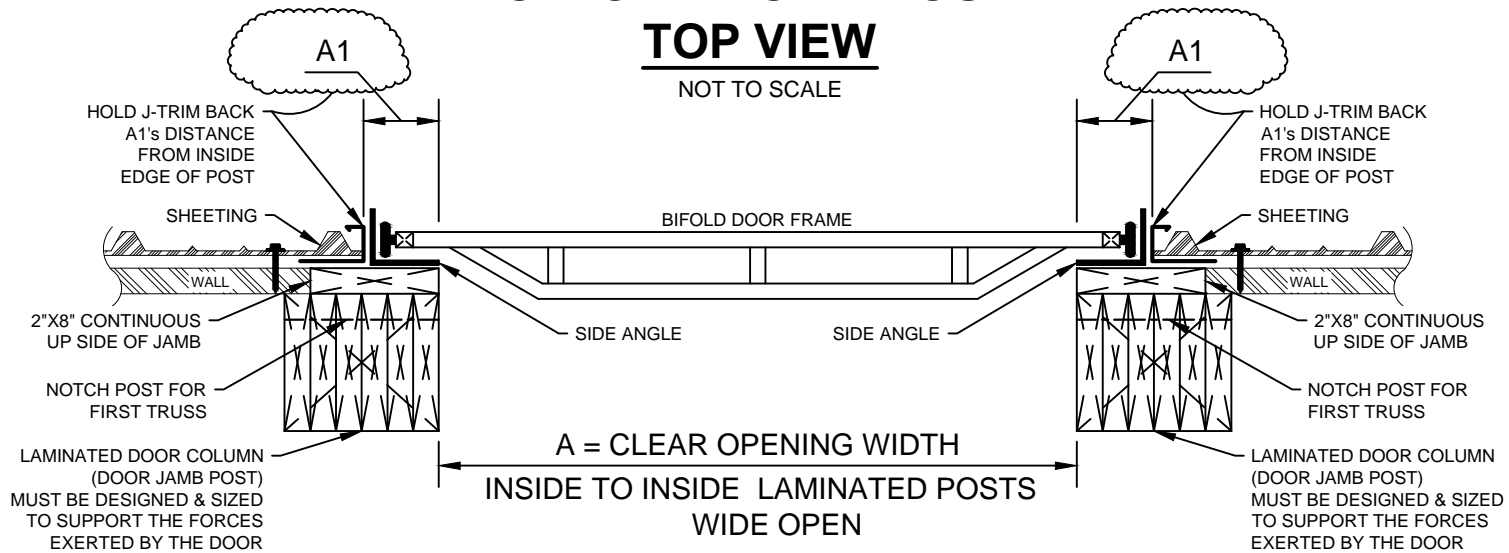
PHONE :  
1-800-921-7008  
FAX:  
701-277-8961

MIDLAND DOOR SOLUTIONS  
1021 7th Street NE  
WEST FARGO, ND 58078



# BOTTOM CHORD MOUNT TOP VIEW

NOT TO SCALE



# BOTTOM CHORD MOUNT HINGE DETAIL - TOP VIEW

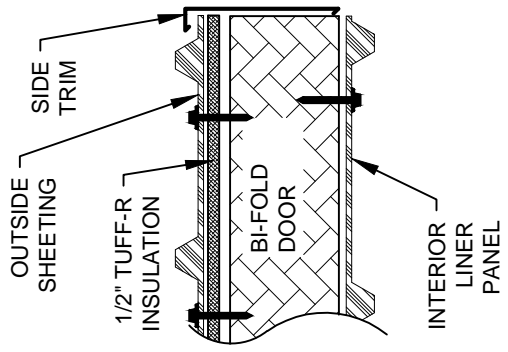
NOT TO SCALE

DRAWING NUMBER **IBC2**

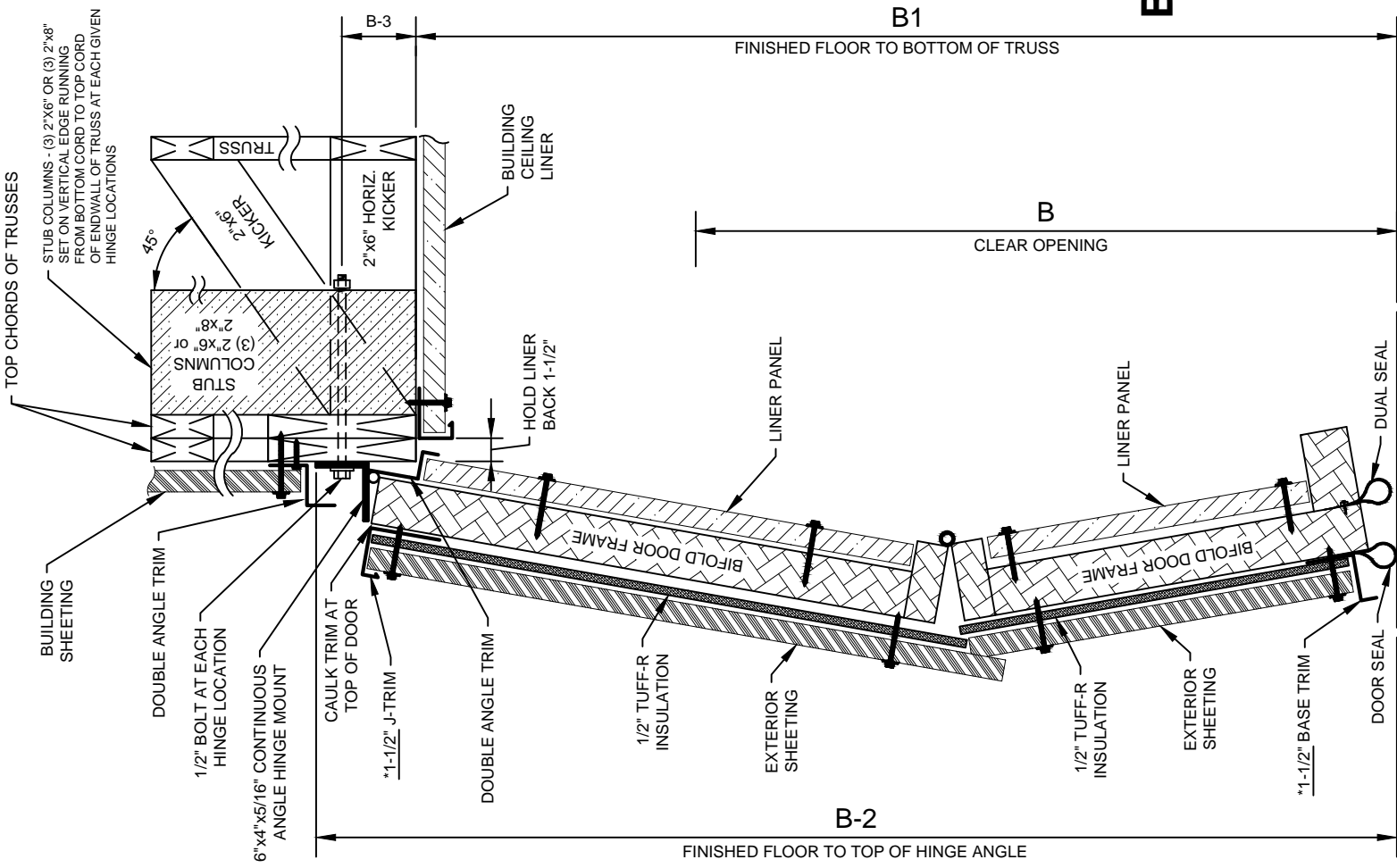
PHONE : 1-800-921-7008  
FAX: 701-277-8961

MIDLAND DOOR SOLUTIONS  
1021 7th Street NE  
WEST FARGO, ND 58078





**TOP VIEW  
DETAIL**  
NOT TO SCALE



**BOTTOM CHORD  
MOUNT  
WITH TUFF-R  
SIDE VIEW**  
NOT TO SCALE



MIDLAND DOOR SOLUTIONS  
1021 7th Street NE  
WEST FARGO, ND 58078

PHONE : 1-800-921-7008  
FAX: 701-277-8961

DRAWING NUMBER  
**IBC3**