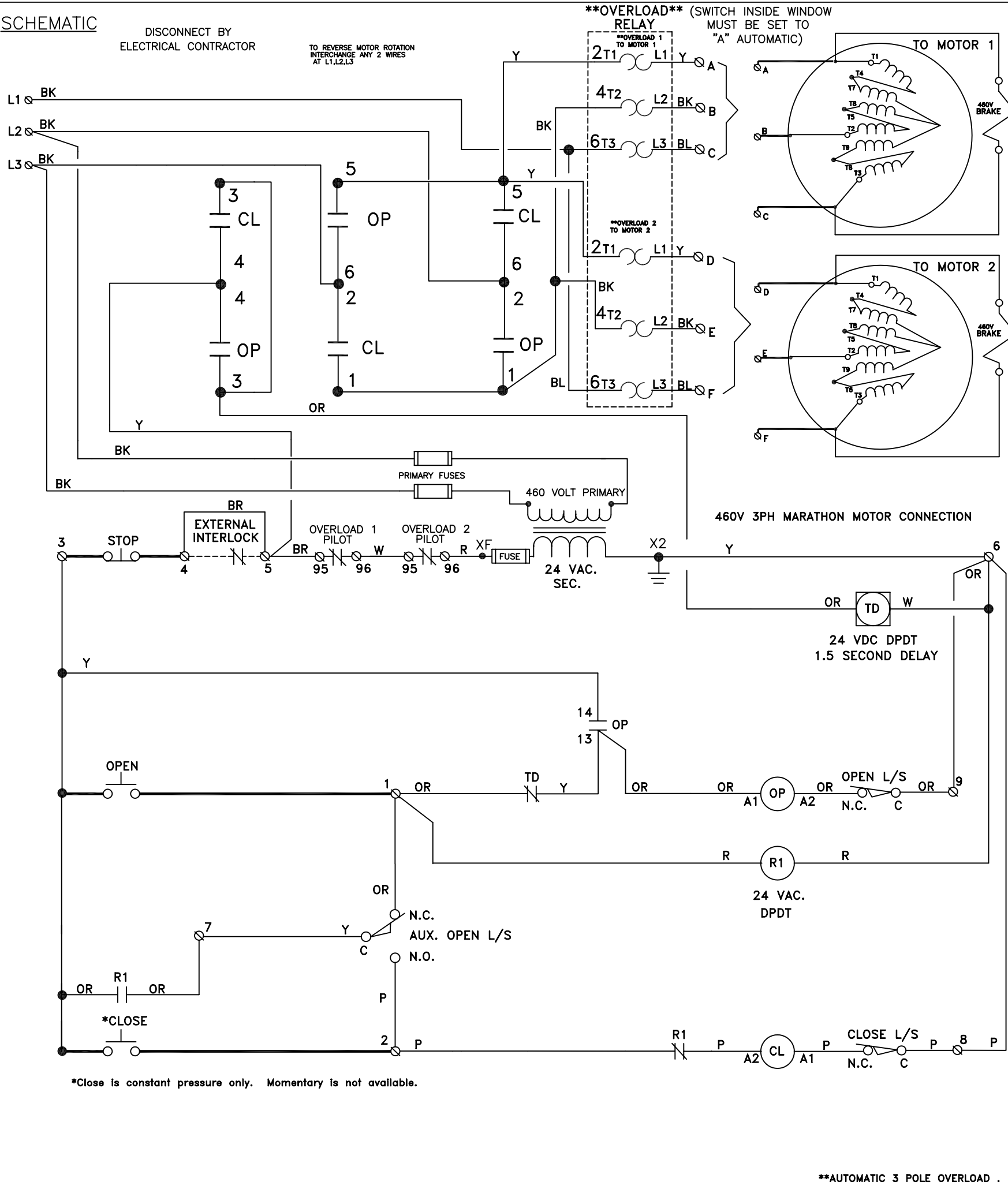
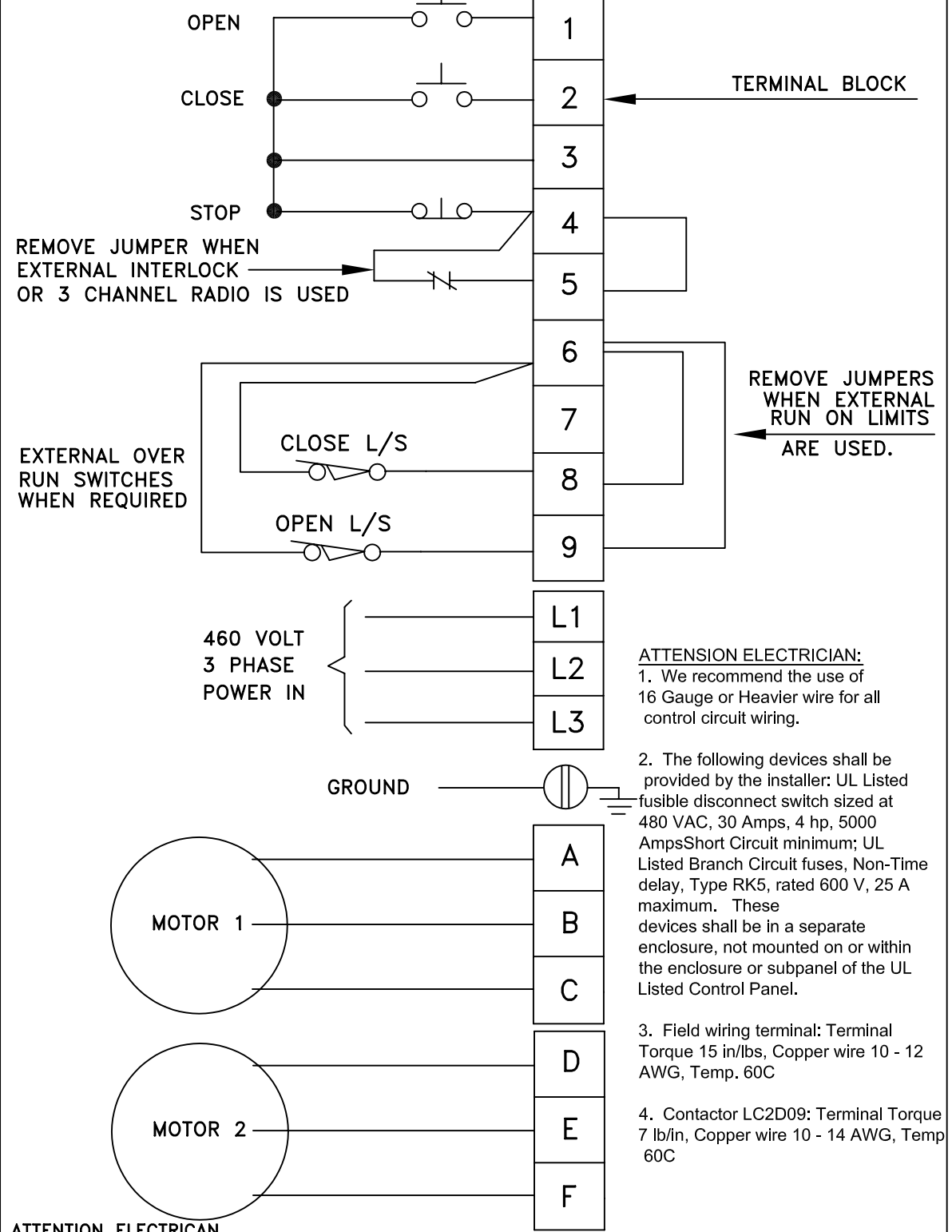


SCHEMATIC



FIELD WIRING



- ATTENTION ELECTRICIAN:**
1. We recommend the use of 16 Gauge or Heavier wire for all control circuit wiring.
 2. The following devices shall be provided by the installer: UL Listed fusible disconnect switch sized at 480 VAC, 30 Amps, 4 hp, 5000 Amps Short Circuit minimum; UL Listed Branch Circuit fuses, Non-Time delay, Type RK5, rated 600 V, 25 A maximum. These devices shall be in a separate enclosure, not mounted on or within the enclosure or subpanel of the UL Listed Control Panel.
 3. Field wiring terminal: Terminal Torque 15 in/lbs, Copper wire 10 - 12 AWG, Temp. 60C
 4. Contactor LC2D09: Terminal Torque 7 lb/in, Copper wire 10 - 14 AWG, Temp 60C

ATTENTION ELECTRICIAN
 WE RECOMMEND THE USE OF 16 GAUGE OR HEAVIER WIRE FOR ALL CONTROL CIRCUIT WIRING.

PROJECT: -----		THE CHAMBERLAIN GROUP, INC. CDO 845 Larch Ave, Elmhurst, IL 60126	
DRAWN BY: S.E.	DATE: 6-17-10	TITLE: 460V 3 PH DUAL MOTOR CONTROLLER	
ENGINEER: S.E.	DATE: 6-17-10	ECN: 15101	DRAWING NUMBER: 10201
ECN: 15101	DATE: -	REL. DATE: 2/27/12	SHEET: 1 OF 1
		REV.: C	

*Close is constant pressure only. Momentary is not available.

**AUTOMATIC 3 POLE OVERLOAD .