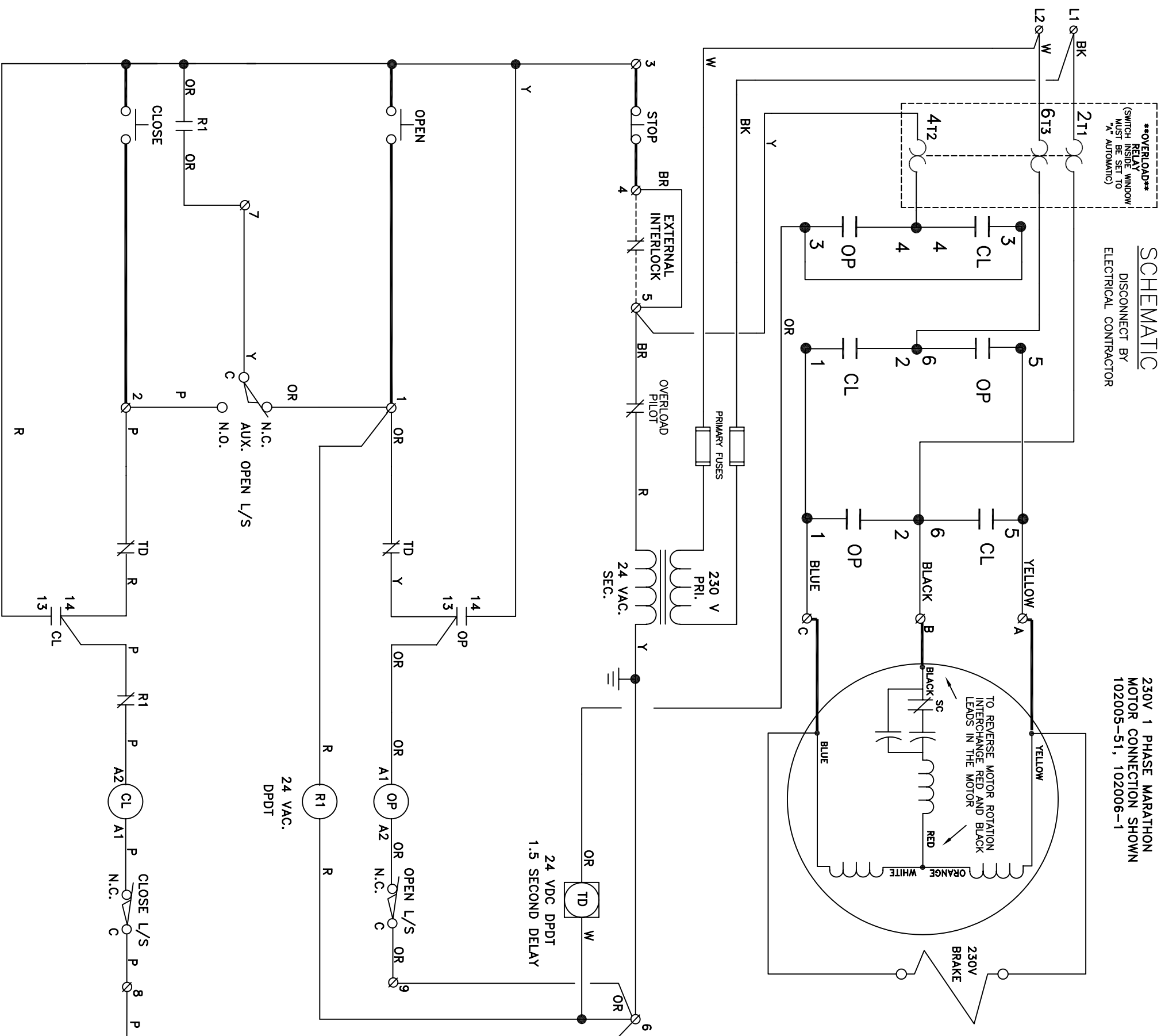
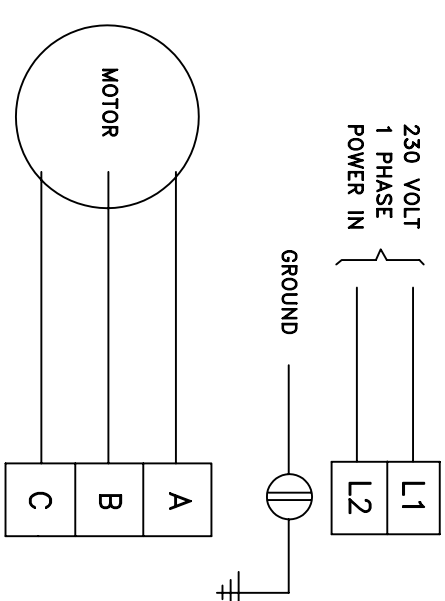
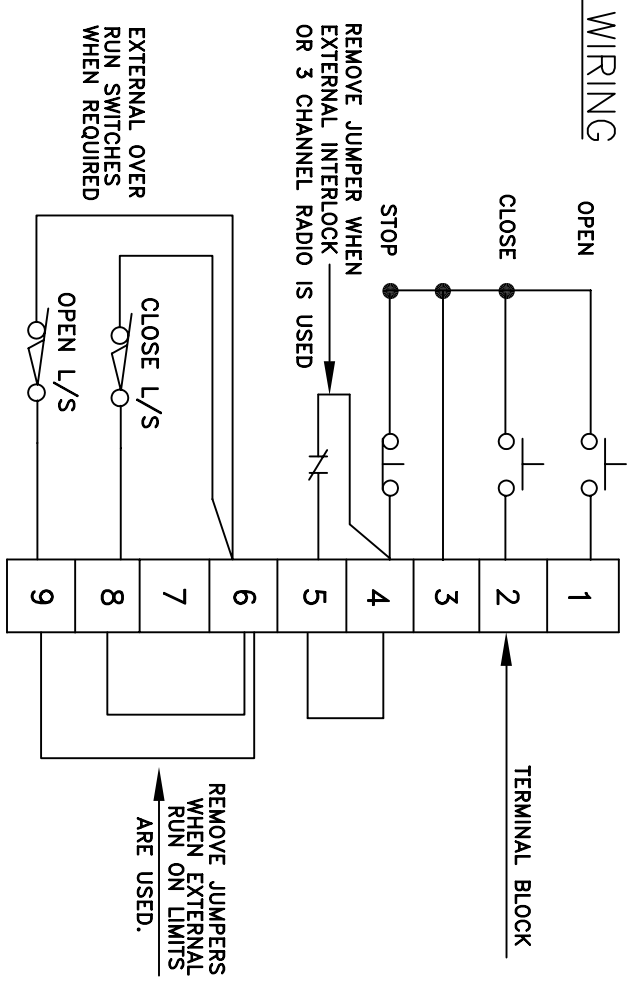


SCHEMATIC
DISCONNECT BY
ELECTRICAL CONTRACTOR

**230V 1 PHASE MARATHON
MOTOR CONNECTION SHOWN**
102005-51, 102006-1



FIELD WIRING



ATTENTION ELECTRICIAN:

1. We recommend the use of 16 Gauge or Heavier wire for all control circuit wiring.
2. The following devices shall be provided by the installer: UL Listed fusible disconnect switch sized at 240 VAC, 30 Amps, 2 hp, 5000 Amps Short Circuit minimum; UL Listed Branch Circuit fuses, Non-Time delay, Type RK5, rated 600 V, 25 A maximum. These devices shall be in a separate enclosure, not mounted on or within the enclosure or subpanel of the UL Listed Control Panel.
3. Field wiring terminal: Terminal Torque 15 in/lbs. Copper wire 10 - 12 AWG, Temp. 60C
4. Contactor LC2D09: Terminal Torque 7 lb/in, Copper wire 10 - 14 AWG, Temp. 60C

PROJECT:

PROJECT: _____		THE CHAMBERLAIN GROUP, INC. 845 Larch Ave, Embury, IL 60126			
DRAWN BY: S.E.	DATE: 5/17/10	TITLE: 230V 1 PH DUAL VOLTAGE MOTOR			
ENGINEER: S.E.	DATE: 5/17/10	DRAWING NUMBER: 10189			
ECN# 14956	DATE: 5/17/10	REL. DATE: 2/27/12	SHEET: 1 OF 1	REV.: F	

**AUTOMATIC 3 POLE OVERLOAD INSTALLED ON OPEN CONTACTOR.